

ChemTite[®] BULL'S EYE PFA Lined for Severe Duty SIGHT FLOW INDICATORS



**Bubble-Tight
GUARANTEED!**

FEATURES

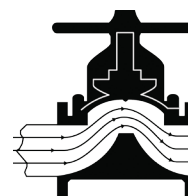
- Bubble-Tight Design
- Heavy Duty PFA Liner Resists Cracking
- Dovetail Locking Grooves for PFA Retention
- Size Range: 1" to 6"
- Pressure Rating: 250 psi (17.23 bar)
- Operating Temperature: (-)20°F to (+)400°F
- Viewing Range: 150% More than Competitors'
- Rugged Ductile Iron Housing
- Integral Drip Lip
- Resistant To:
 - All acids
 - All solvents
 - All bleach solutions
 - All phenols
 - All caustics
 - All peroxides
 - All organic and inorganic chlorides & sulfates

THE ORIGINAL IN THE USA

Since 1931, Hills-McCanna[®] has earned a reputation for innovative products that serve demanding applications better than before. Today, the Hills-McCanna[®] legacy continues with the ChemTite[®] series. ChemTite[®] products are built with American quality for peace of mind and dependability in tough chemical applications.



*Designed, Engineered,
Fluoropolymer Lined and
Assembled in the USA!*

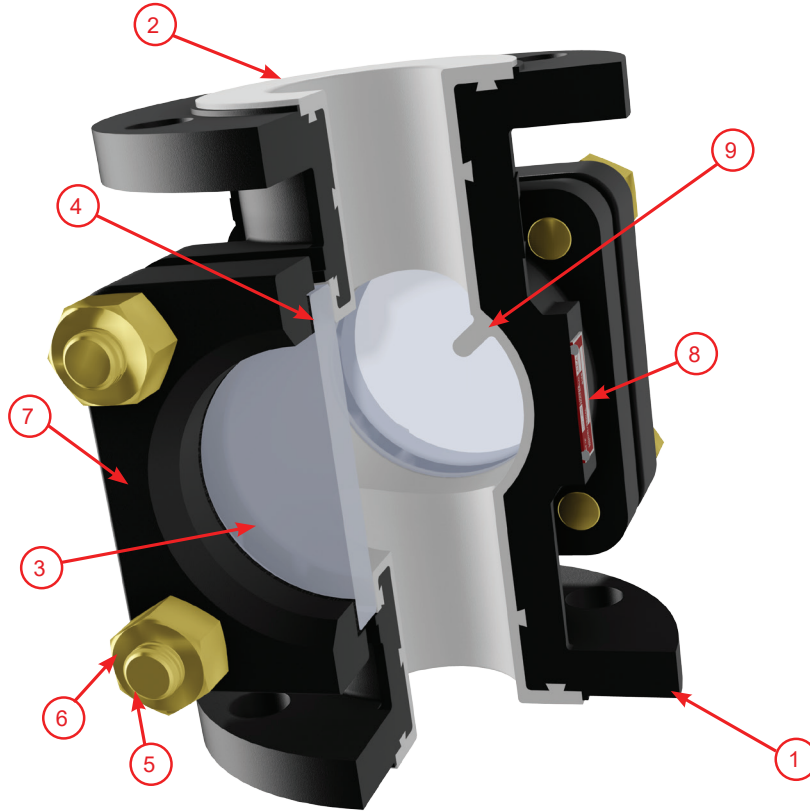


Phone: (616)554-3900
Fax: (616)554-9308

Hills-McCanna[®]
an ANDRONACO INDUSTRIES company

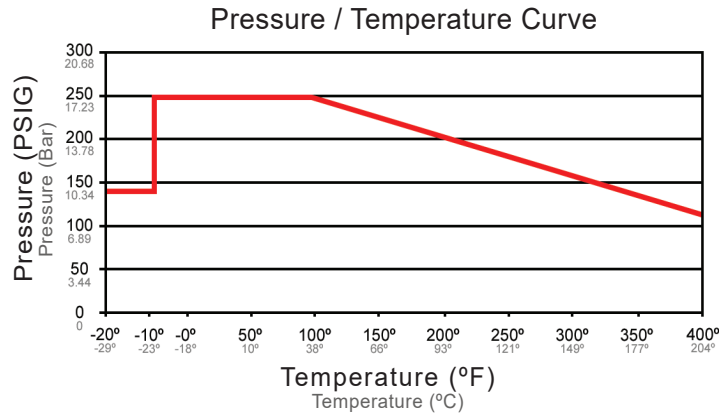
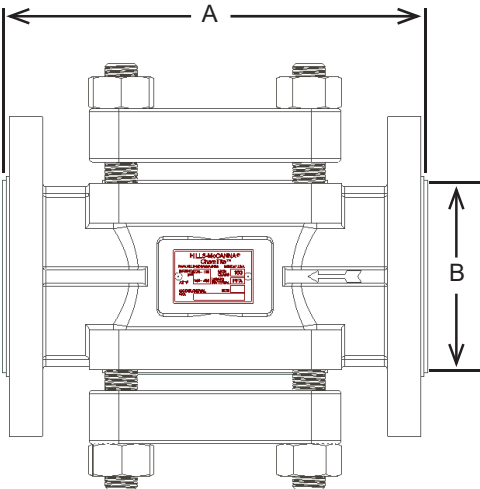
ChemTite[®] BULL'S EYE SIGHT FLOW INDICATORS

PFA Lined for Severe Duty



Sizes		
SIZE	(A) LENGTH	(B) FLARE DIAMETER
1"	6"	2"
1 1/2"	7"	2 1/2"
2"	8"	3 1/4"
3"	9 1/2"	5 1/8"
4"	11 1/2"	6 3/8"
6"	14"	8"

Parts List		
ITEM	DESCRIPTION	ASTM / MATERIAL
1	BODY	DUCTILE IRON ASTM A395
2	LINING	VIRGIN PFA
3	GLASS	BOROSILICATE - OPTION w/ CLEAR FEP
4	GASKET	ASBESTOS FREE - COMPRESSED SHEET
5	STUD FASTENER	ZINC PLATED ASTM A193 GR. B7
6	HEXAGON NUT	ZINC PLATED ASTM A194 GR. 2H
7	GLASS RETAINER PLATE	DUCTILE IRON ASTM A395
8	NAME PLATE	STAINLESS STEEL
9	DRIP LIP	VIRGIN PFA



Phone: (616)554-3900
 Fax: (616)554-9308
Hills-McCanna[®]
 an ANDRONACO INDUSTRIES company
 4855 Broadmoor Ave, Kentwood, Michigan 49512
www.hills-mccanna.com

Hills-McCanna[®] information is based on technical data and testing that Hills-McCanna[®] believes to be reliable and is subject to change without notice. The information is intended for use by persons having technical skill, and at their own discretion and risk. Since conditions of product are outside of Hills-McCanna[®] control, Hills-McCanna[®] makes no warranties, express or implied, and assumes no liability in connection with any use of this information. Hills-McCanna[®] is a registered trademark of Hills-McCanna LLC.

ChemTite[®]
BUBBLE-TIGHT GUARANTEE!