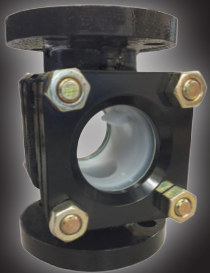


ChemTite®

PTFE / PFA Lined for Severe Duty

**BUTTERFLY
VALVES**



*Designed, Engineered,
Fluoropolymer Lined and
Assembled in the USA!*



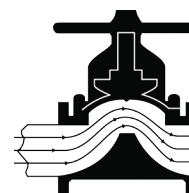
**Bubble-Tight
GUARANTEED!**

FEATURES

- Bubble-Tight Design
- Heavy Duty PTFE/PFA Liner Resists Cracking
- Two Seat Options: PTFE or UHMWPE
- Size Range: 2" to 12"
- Pressure Rating: Full Vacuum to 150 psi (10.34 bar)
- Operating Temperature: (-)20°F to (+)400°F
- One Piece Disc & Stem
- Mounting Flange is ISO 5211 Compliant
- Five Disc Options:
 - PFA / CD4MCu
 - 316 Stainless Steel
 - Hastelloy® C276
 - Titanium Gr. C-2
 - UHMWPE / CD4MCu
- Resistant To:
 - All acids
 - All solvents
 - All bleach solutions
 - All phenols
 - All caustics
 - All peroxides
 - All organic and inorganic chlorides & sulfates

THE ORIGINAL IN THE USA

Since 1931, Hills-McCanna® has earned a reputation for innovative products that serve demanding applications better than before. Today, the Hills-McCanna® legacy continues with the ChemTite® series. ChemTite® products are built with American quality for peace of mind and dependability in tough chemical applications.



Phone: (616)554-3900

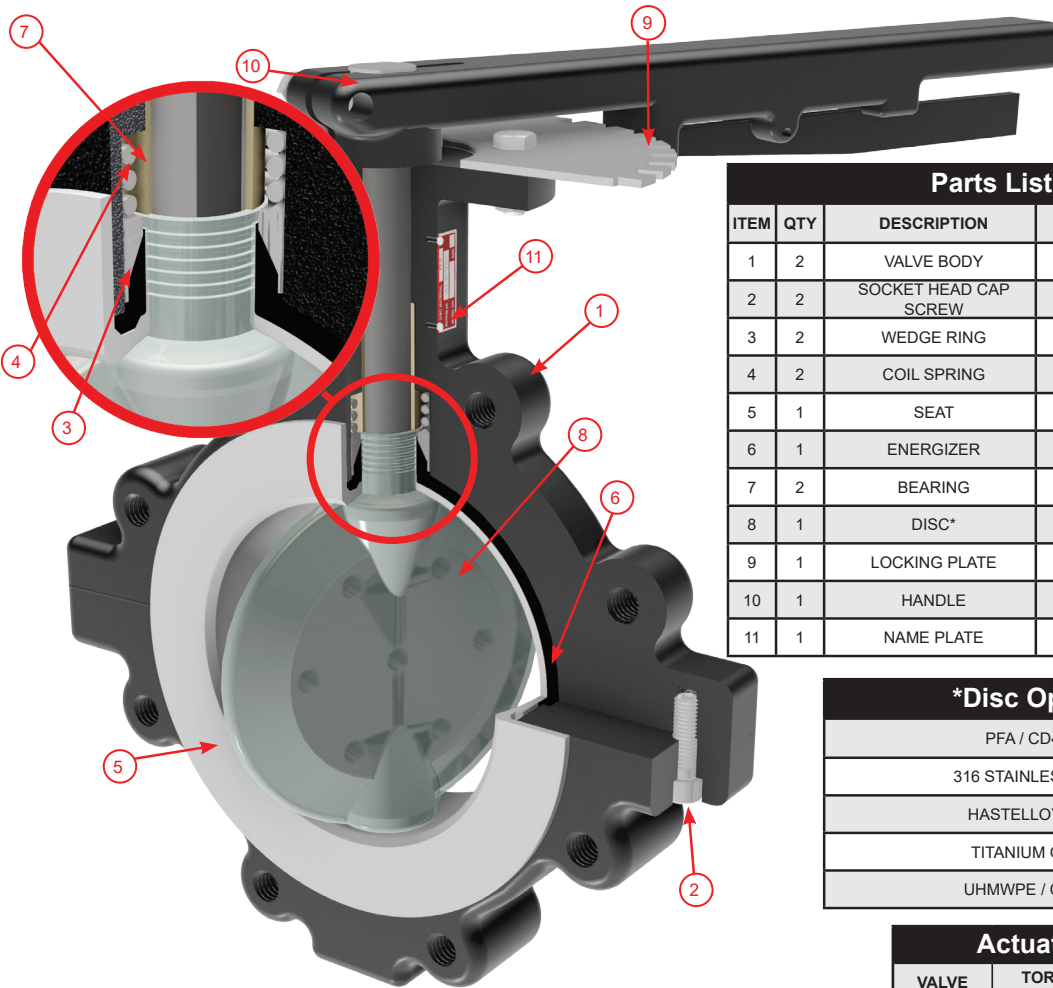
Fax: (616)554-9308

Hills-McCanna®
an ANDRONACO INDUSTRIES company

ChemTite®

PTFE / PFA Lined for Severe Duty

BUTTERFLY VALVES



Parts List

ITEM	QTY	DESCRIPTION	MATERIAL
1	2	VALVE BODY	ASTM A395 DCI
2	2	SOCKET HEAD CAP SCREW	YELLOW ZN PLATED STEEL
3	2	WEDGE RING	304 STAINLESS STEEL
4	2	COIL SPRING	304 STAINLESS STEEL
5	1	SEAT	PTFE / UHMWPE
6	1	ENERGIZER	SILICONE / VITON®
7	2	BEARING	PTFE / COMPOSITE
8	1	DISC*	PFA / DCI
9	1	LOCKING PLATE	304 STAINLESS STEEL
10	1	HANDLE	ASTM A395 DCI
11	1	NAME PLATE	STAINLESS STEEL

*Disc Options

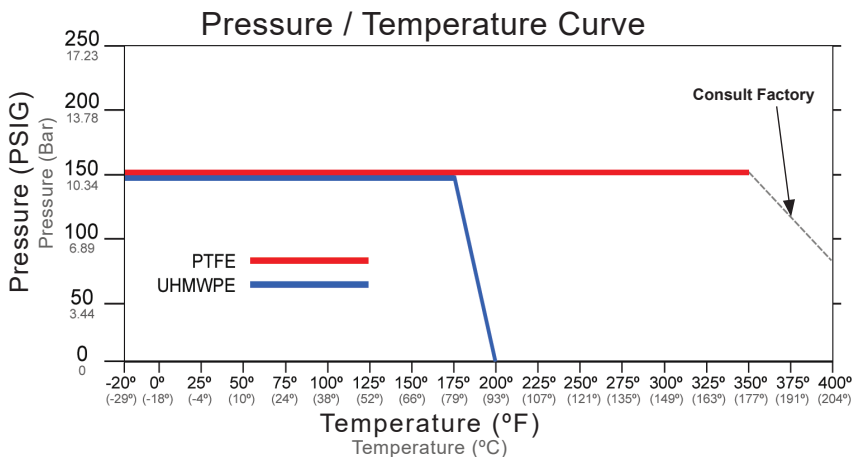
PFA / CD4MCu
316 STAINLESS STEEL
HASTELLOY® C276
TITANIUM GR. C-2
UHMWPE / CD4MCu

Actuator Sizing

VALVE SIZE	TORQUE @ MAX. DIFF. PSI	
	PFA	UHMWPE
2"	275 in-lbs	405 in-lbs
3"	380 in-lbs	463 in-lbs
4"	570 in-lbs	771 in-lbs
6"	1250 in-lbs	3660 in-lbs
8"	1660 in-lbs	4116 in-lbs
10"	3600 in-lbs	6315 in-lbs
12"	4800 in-lbs	8102 in-lbs

Cv Data

VALVE SIZE	FULL OPEN Cv
2"	112
3"	334
4"	570
6"	1415
8"	3110
10"	5223
12"	7944



Phone: (616)554-3900
Fax: (616)554-9308

Hills-McCanna®
an ANDRONACO INDUSTRIES company

4855 Broadmoor Ave, Kentwood, Michigan 49512
www.hills-mccanna.com

Hills-McCanna® information is based on technical data and testing that Hills-McCanna® believes to be reliable and is subject to change without notice. The information is intended for use by persons having technical skill, and at their own discretion and risk. Since conditions of product are outside of Hills-McCanna® control, Hills-McCanna® makes no warranties, express or implied, and assumes no liability in connection with any use of this information. Hills-McCanna® is a registered trademark of Hills-McCanna LLC. VITON® is a registered trademark of DuPont Performance Elastomers LLC. HASTELLOY® is a registered trademark of Haynes International Inc.

ChemTite®
BUBBLE-TIGHT GUARANTEE!