



Fabricast Valve Company
 1061 Industrial Way, Longview, WA 98632
Toll-Free 1-877-264-2503
Local (360) 425-0306 **Fax** (360) 425-0353
 www.knifegates.com
 sales@fabricastvalve.com

FIG 202

FIG 202

Fabricast Valve



Shown with optional position transmitting hydraulic cylinder

- Heavy duty fabricated ASTM A36 carbon steel body, packing gland and yoke. Standard size range is 2" - 24" - larger sizes available.
- 4 piece replaceable UHMW liners are standard rated to 180 degrees F. The side inserts are T shaped that mechanically locks them into the body liners. The liners and side inserts are sealed to the valve body with a special silicone sealant preventing the flow media from coming in contact with the valve body. The full length body liners support the gate throughout the full stroke preventing deflection and premature packing wear. Extra deep packing chamber with multiple rows of braided packing resulting in a superior atmospheric seal.
- ASTM A240 304 stainless steel retaining rings and precision surface ground gate are standard.
- Full port or specify to match a specific pipe ID.
- Standard 150 PSI CWP rated - higher pressure ratings available.
- No cavities to pack up with flow media and cause jamming.
- Does not discharge flow media to atmosphere.
- 304 stainless steel ACME threaded stem.
- Multiple rows of braided teflon synthetic packing is standard 3-11 PH range, 450 degrees F.
- Locking fasteners - standard on all Fabricast valves.
- Bevel gear operator - standard (3:1 or 4:1 depending on valve size).
- Easily adapted to air cylinder, hydraulic cylinder, electric motor (no welding required).

OPTIONS:

- Available body liners:
 - Polyurethane rated to 180 degree F.
 - Polypropylene rated to 225 degrees F.
 - Tivar UHMW rated to 280 degrees F.
 - Teflon rated to 400 degrees F.
- Alloy materials for body, gate and retaining rings: 316 stainless steel, Duplex stainless steels 2205, 2507, 904L, Hastelloy, Titanium or specify.
- OSHA upper and lower gate guards.
- Ring style lockout for manual bevel gear.
- Mechanical pin style open and closed lockouts for automated valves.
- Specialty packings PTFE, Graphite, Kevlar, FDA.
- Limit switches, proximity switches, solenoid valves, positioners, air sets, speed controls, exhaust mufflers, Linear positioning sensing cylinders, spring cylinders, failsafe system, air boosters
- Configured port for flow control and modulating applications.
- Inlet deflector cone.
- Replaceable abrasion resistant and hardened retaining rings.
- Replaceable polymer retaining rings.
- Bonneted design available.
- Live loaded packing system.
- Specialty gate and exterior coatings.
- Hardsurfacing - Stellite, Chrome carbide, Tungsten carbide for severe abrasive applications.



Made in USA

Optional Operators see www.knifegates.com for details



Cylinder



Bevel Gear



Electric Motor



Chain Wheel



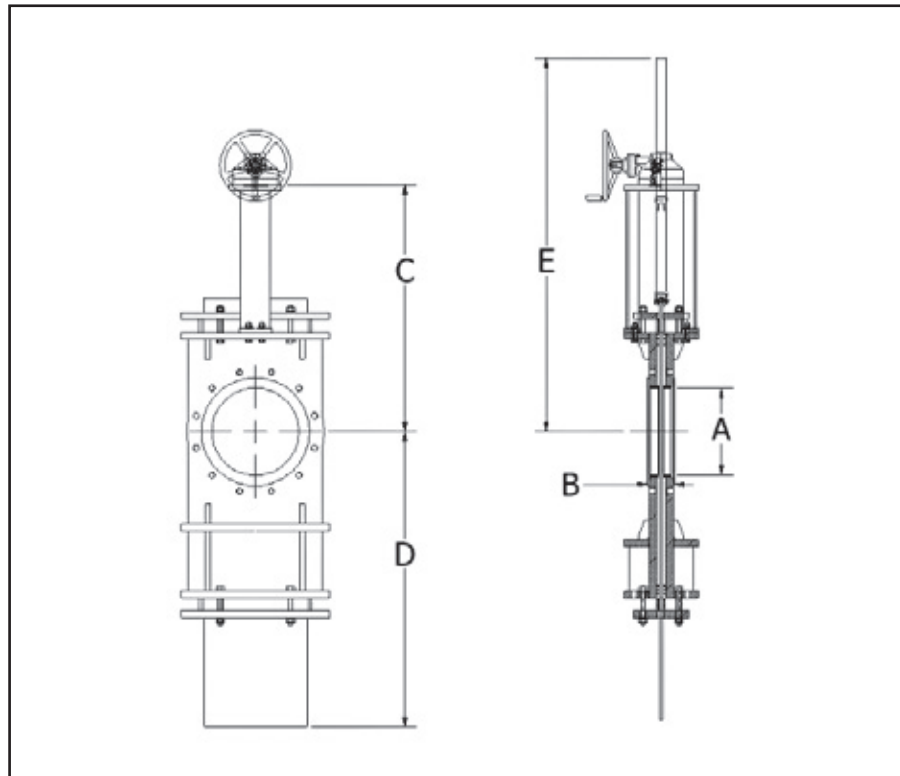
Lever



Fabricast Valve Company
 1061 Industrial Way, Longview, WA 98632
 Toll-Free 1-877-264-2503
 Local (360) 425-0306 Fax (360) 425-0353
 www.knifegates.com
 sales@fabricastvalve.com

FIG 202

Slidegate Valve w/ Replaceable Polymer Liner [2" - 24"]



Valve Dimensions					
Valve Size	Port I.D. (A)	Face to Face (B)	Upper Length (C)	Lower Length (D)	Open Height (E)
2	2	2 1/2	15 1/2	13 1/2	22
3	3	2 1/2	17	15	22 1/2
4	4	2 1/2	19	18 1/2	27 1/2
6	6	2 3/4	22	23 1/2	32 1/2
8	8	3 1/4	25	28 1/2	37 1/2
10	10	3 1/4	29	34	43 1/2
12	12	3 1/2	32 1/2	39	49
14	13 1/4	3 1/2	36	43 1/2	53 3/4
16	15 1/4	3 3/4	39 1/2	48 1/2	59 3/4
18	17 1/4	3 3/4	42 1/2	54	64 3/4
20	19 1/4	4 1/2	46	59	70 1/4
24	23 1/4	4 1/2	52	69	80 1/4

Note: All dimensions are in inches. Dimensions are a close approximation but will vary relative to customer's over-all specifications.