



Fabricast Valve Company
1061 Industrial Way, Longview, WA 98632
Toll-Free 1-877-264-2503
Local (360) 425-0306 Fax (360) 425-0353
www.knifegates.com
sales@fabricastvalve.com

FIG 215

FIG 215

Fabricast Valve



The Fabricast FIG 215 is a metal seated, uni-directional o-port slide gate valve. Designed and tested to MSS SP81 and ASME B16.5 specifications. For use in heavy solids flow media – hd stock, powders, hopper bottoms or anywhere a cutting action is required to close the valve.

Features

- Heavy duty fabricated and welded carbon- stainless steel body 2" - 72", packing gland, yoke, stemnut retainer and gate clevis.
- Full Port.
- 150 PSI CWP rated.
- Precision CNC machined valve body and stem
- ASTM a 240 304 stainless steel o-port gate fully machined and surface ground. All edges are chamfered to extend packing life and to provide a superior atmospheric seal.
- 14" and larger valves are supplied with a ball bearing yoke bushing to reduce handwheel rimpull
- Braided teflon synthetic packing is standard. 3-11 PH rating.
- Cast WCB steel handwheel (weldable).
- Easily adapted to air cylinder, hydraulic cylinder, bevel gear, lever or electric motor operator (no welding required).

Options

- O-Ring seat - BUNA N 200 deg. F. EPDM 300 deg. F. HDPE / UHMWPE 200 deg. f. FKM/VITON - 400 deg F. Other - contact factory.
- Other Alloys - CS, 304, 310, 316, 317L, Duplex 2205, 2507, 904L, Hastelloy, titanium other - contact factory.
- Mechanical lockouts - manual and actuated valves
- OSHA gate guard
- Pneumatic, hydraulic and spring cylinder, electric motor operator, • 3:1 and 4:1 bevel gear operator, chainwheel, stem extensions, lever operator
- Packings - ptfе, graphite, kevlar, food grade, other - contact vfactory
- Purge / flushing ports
- Limit / proximity switches, solenoid valves, positioners, air sets, speed controls, exhaust mufflers, air tank failsafe systems, air boosters
- V port for more precise flow control
- Deflector cones for abrasive service
- Ni-resist alloy stemnut
- Live loaded packing system
- Specialty gate coatings
- Hardsurfacing for abrasive service
- Backing ring for reverse flow or horizontal valve orientation
- Bonneted design
- High pressure • High temperature



Previous Model
FV-150-SG

Optional Operators see www.knifegates.com for details



Cylinder



Bevel Gear



Electric Motor



Chain Wheel

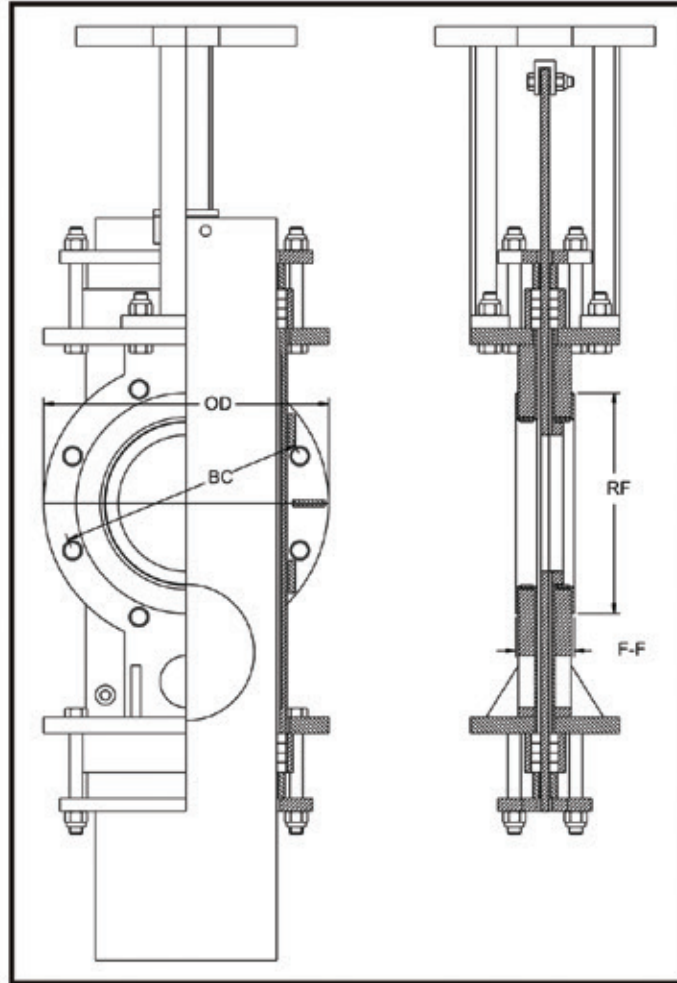


Lever



Fabricast Valve Company
 1061 Industrial Way, Longview, WA 98632
 Toll-Free 1-877-264-2503
 Local (360) 425-0306 Fax (360) 425-0353
 www.knifegates.com
 sales@fabricastvalve.com

FIG 215



Size	2"	3"	4"	6"	8"	10"	12"	14"	16"	18"	20"	24"
Face to Face F-F	1-7/8"	2"	2"	2-1/4"	2-3/4"	2-3/4"	3"	3"	3-1/2"	3-1/2"	4-1/2"	4-1/2"
Flange OD OD	6"	7-1/2"	9"	11"	13-1/2"	16"	19"	21"	23-1/2"	25"	27-1/2"	32"
Bolt Circle BC	4-3/4"	6"	7-1/2"	9-1/2"	11-3/4"	14-1/4"	17"	18-3/4"	21-1/4"	22-3/4"	25"	29-1/2"
Inside Diameter ID	2"	3"	4"	6"	8"	10"	12"	13-5/8"	15-1/2"	17-1/2"	19-1/2"	23-3/8"
Number of Holes N	4	4	8	8	8	12	12	12	16	16	20	20
Hole D&T Size D	5/8"-11	5/8"-11	5/8"-11	3/4"-10	3/4"-10	7/8"-9	7/8"-9	1"-8	1"-8	1-1/8"-7	1-1/8"-7	1-1/4"-7
OA Length	30"	33"	38"	51"	62"	74"	85"	91"	102"	112"	122"	148"
C/L to Top Open H-OPEN	18	21	24	31	37	44	50	53	58	63	68	80
Handwheel Dia. H/W	8"	8"	8"	12"	12"	15"	15"	15"	20"	20"	20"	30"
Raised Face Diameter RF	3-5/8"	5"	6-3/16"	8-1/2"	10-5/8"	12-3/4"	15"	16-1/4"	18-1/2"	21"	23"	27-1/4"
Weight (lbs.)	77	77	90	119	162	238	325	442	558	640	910	1200

Fabricast Valve
 Knife Gate Valves & Custom Fabrication / phone (360) 425-0306, fax (360) 425-0353