

FIG 6



Fabricast Valve Company
1061 Industrial Way, Longview, WA 98632
Toll-Free 1-877-264-2503
Local (360) 425-0306 **Fax** (360) 425-0353
www.knifegates.com
sales@fabricastvalve.com

The Fabricast FIG 6 is a fabricated and welded tilting / angle disc check valve. Designed and tested to MSS SP61 and ASME B16.5 specifications.

Features

- Heavy duty fabricated 304 or 316 Stainless Steel body and gate disc. Standard size range is 2"- 48"
- 150 Psi Cwp Rated
- Drip Tight Reverse Flow Seating To MSS SP61
- Precision CNC Machined Valve Body And Gate Disc

Note – For Both Horizontal Or Vertical Mounting Orientations

Options

Other Alloys – 317L, Duplex 2205, 2507, 904L



FIG 6

Fabricast Valve

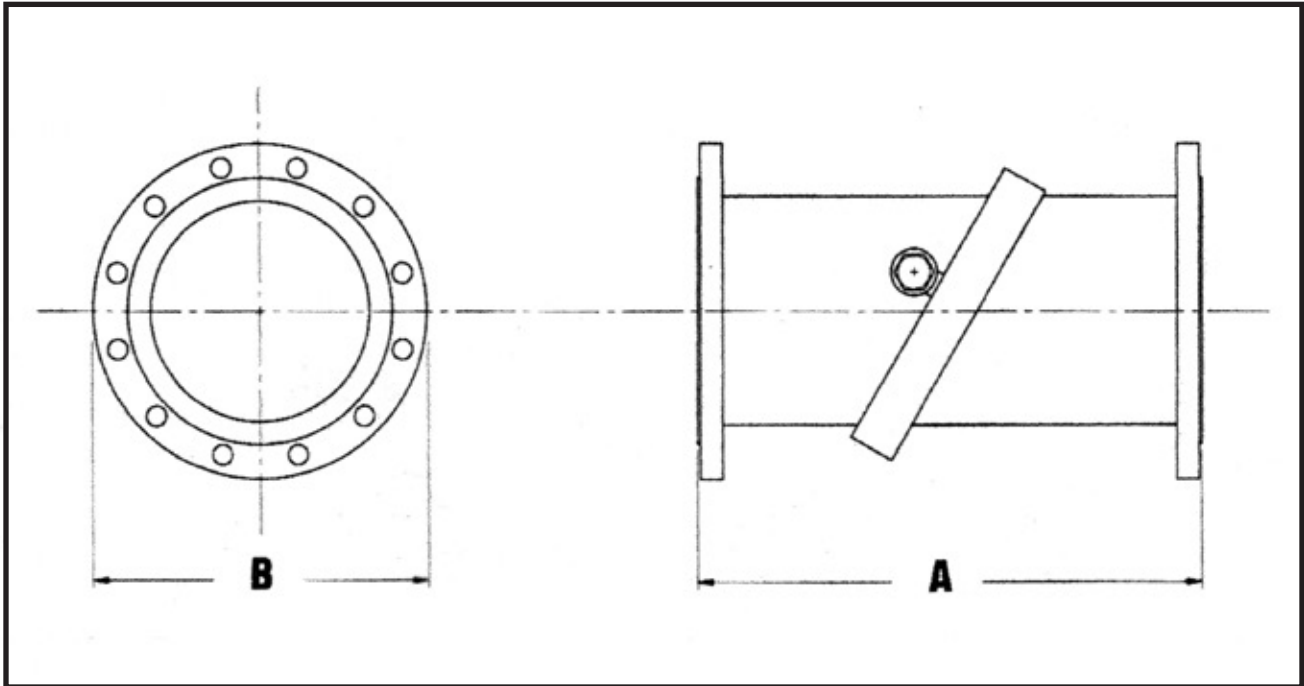
Previous Model
FV-150-TDCV





Fabricast Valve Company
 1061 Industrial Way, Longview, WA 98632
Toll-Free 1-877-264-2503
Local (360) 425-0306 **Fax** (360) 425-0353
 www.knifegates.com
 sales@fabricastvalve.com

FIG 6



SIZE	3	4	6	8	10	12	14	16	18	20	24
F-F	9.5	11.5	14	18	21.75	25.5	28	29.5	31	32.5	39.5
MIN	4.75	5.38	7.5	8.63	10.25	11.63	12.88	13.88	15.25	16.88	20
FLG	7.5	9	11	13.5	16	19	21	23.5	25	27.5	32
WT	20	30	54	85	110	182	195	258	345	470	735