

SERIES: M22N

CLASS 800

**SESTO**  
  
**VALVES**

*FIRESAFE 2-PC  
DIRECT MOUNT*

**PED**



**NACE**



**SIL<sub>2</sub>**  
Safety Integrity Level

**API  
607**



114 Resource Drive, Wentzville, MO 63385 USA  
Tel: (636) 856-8576 - Fax: (636) 856-8930  
[www.sestovalves.com](http://www.sestovalves.com) - [sales@sestovalves.com](mailto:sales@sestovalves.com)

# Technical Data

## Example Part Number

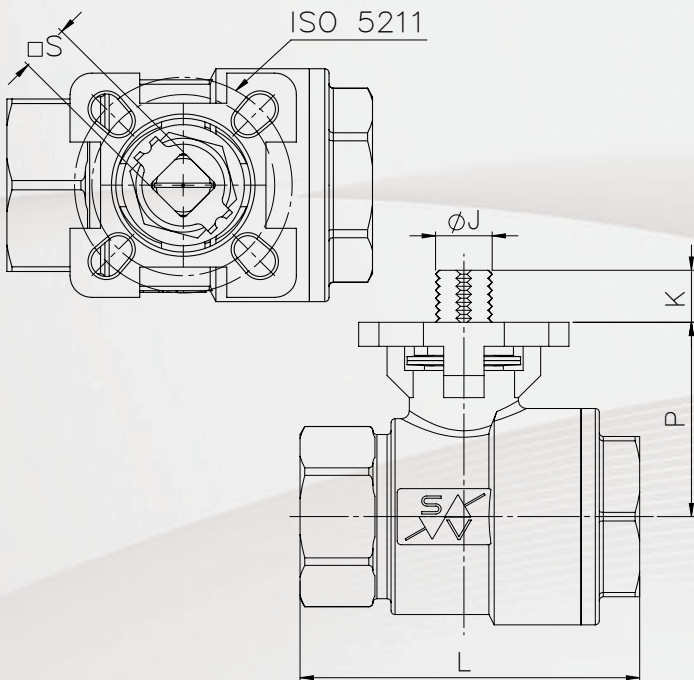
FIGURE	-	SIZE	-	BODY	TRIM	TYPE	SEATS	-	OPERATOR	-	SPECIAL
M22N	-	02	-	C	6	0	G	-	L	-	

### EXAMPLE PART NUMBER: M22N-02-C60G-L

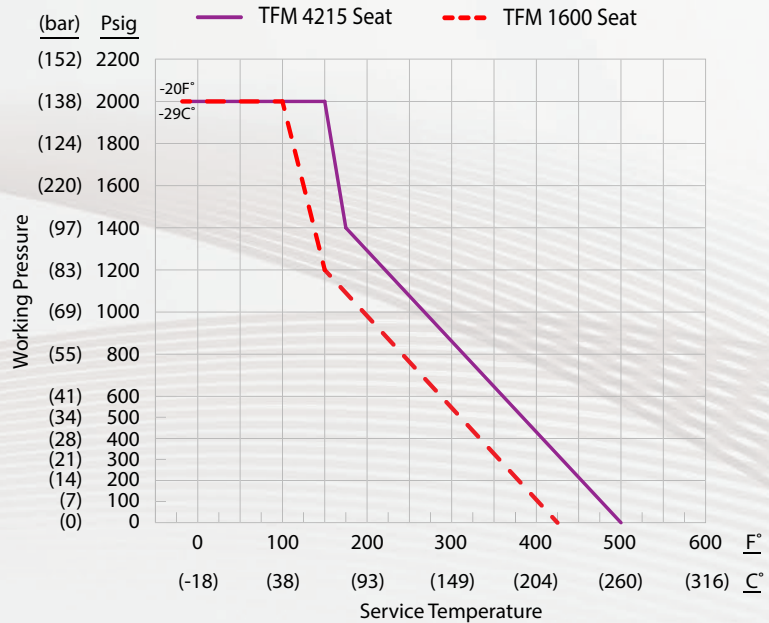
**EXAMPLE DESCRIPTION:** 2" FLOATING 2-PC CLASS 800 FULL PORT BALL VALVE, SESTO M22 SERIES, NPT THREADED ENDS, ASTM A216 GR WCB BODY, ASTM A351 CF8M BALL, ASTM A276-316 STEM, STANDARD BALL TYPE, CTFM SEATS, VITON O-RING, GRAPHITE FIRE SAFE PACKING, API 607, NACE, LOCKING LEVER OPERATOR

FIGURE	-	SIZE	-	BODY
M22N - FLOATING 2-PC SEAL WELD CLASS 800 (2000 WOG) THREADED BALL VALVE, FULL BORE	-	0Q - 1/4" 0R - 3/8" 0M - 1/2" 0T - 3/4"	-	C - ASTM A216 GR WCB S - ASTM A351 CF8M 9 - SPECIAL

TRIM	TYPE	SEATS	-	OPERATOR	-	SPECIAL
6 - 316 SS BALL / 316 SS STEM 8 - 304 SS BALL / 304 SS STEM 9 - SPECIAL	0 - STANDARD V - V-PORT BALL S - SLOTTED BALL R - RELIEF VENTED BALL 9 - SPECIAL	F - TFM 1600 G - TFM 4215 9 - SPECIAL	-	L - LOCKING LEVER N - BARE STEM 9 - SPECIAL D - OVAL HANDLE	-	CONSULT FACTORY



## Pressure Temperature Chart



## Dimensions

SIZE (in)	BORE (in)	□S (in)	ØJ (in)	K (in)	L (in)	P (in)	ISO 5211	CV	WEIGHT (lb)	TFM 4215	TFM 1600
1/2"	0.59	0.35	0.47	0.33	2.64	1.46	F03-F04	15	1.1	85	77
3/4"	0.79	0.35	0.47	0.35	2.83	1.59	F03-F04	35	1.4	115	86
1"	1.00	0.43	0.55	0.55	3.31	1.91	F04-F05	68	2.4	200	175
1 1/4"	1.26	0.43	0.55	0.55	3.74	2.05	F04-F05	110	3.4	283	212
1 1/2"	1.50	0.55	0.75	0.71	4.41	2.69	F05-F07	155	5.5	469	411
2"	1.97	0.55	0.75	0.71	5.81	3.05	F05-F07	300	9.1	703	492

## Torques

Sesto Valves may change dimensions without any notice.

\*\*Raw torques shown in inch-pounds. Minimum 30% safety factor should be added for actuator sizing.\*\*



North American Headquarters  
114 Resource Drive, Wentzville, MO 63385 USA  
Tel: (636) 856-8576 - Fax: (636) 856-8930  
[www.sestovalves.com](http://www.sestovalves.com) - [sales@sestovalves.com](mailto:sales@sestovalves.com)

European Headquarters  
Agrate Brianza (MB) Italy

Asian Office  
Jinan, China

Rev: 10.29.2018