



PNEUMATIC, ELECTRO-PNEUMATIC & SMART DIGITAL

POSITIONERS

www.untorq.com

Unmatched Stability in Tough Environments.

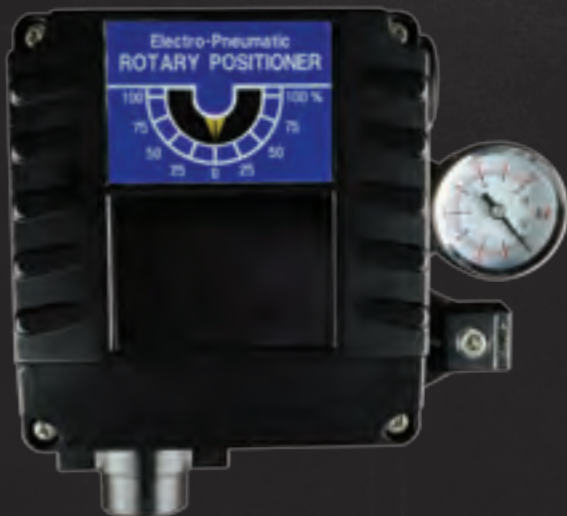
UniTorq's advanced-control electro-pneumatic positioner offers a consistently reliable solution, with proven durability.

1000 Series

Features

- Achieve high performance with vibration-resistant design
- Short, accurate response time
- Easy maintenance
- Corrosion-resistant aluminum diecast body
- Simple zero and span adjustment
- Save money with less air consumption
- Easily convert to direct or reverse acting
- Make adjustments for split range control without changing parts
- ATEX, CE, CSA, FM, IP66 certified

Optional: Built-in limit switches for 4-20mA position feedback transmitter and direct-mount positioner.



Specifications

Category	UT-1000L		UT-1000R	
	Linear Type		Rotary Type	
	Single	Double	Single	Double
Input Signal	4-20 mA DC (NOTE 1)			
Impedance	250 ±15Ω			
Supply Pressure	20-100psi (1.4-7 bar)			
Stroke	10-150mm (NOTE 2)		0-90° (NOTE 3)	
Air Connection	NPT 1/4"			
Gauge Connection	NPT 1/8"			
Conduit Entry	NPT 1/2"			
Explosion Proof	ATEX: Ex dm IIB T5 CSA: Ex dm IIB T5			
Protection	IP66			
Ambient Temperature	Operating	Standard: -4 to 158°F High: -4 to 248°F Low: -40 to 158°F		
	Explosion	T5: -4 to 140°F T6: -40 to 104°F		
Linearity	± 1.0% F.S.	± 2.0% F.S.	± 1.0% F.S.	± 2.0% F.S.
Hysteresis	±1.0% F.S.			
Sensitivity	± 0.2% F.S.	± 0.5% F.S.	± 0.2% F.S.	± 0.5% F.S.
Repeatability	±0.5% F.S.			
Air Consumption	0.11 CFM at 20psi (3 LPM)			
Flow Capacity	2.83 CFM at 20psi (80 LPM)			
Material	Aluminum diecasting			
Weight	6.1lbs (2.7kg)			

NOTE 1) For 1/2 Split Control, the signal can be applied by adjusting zero and span.

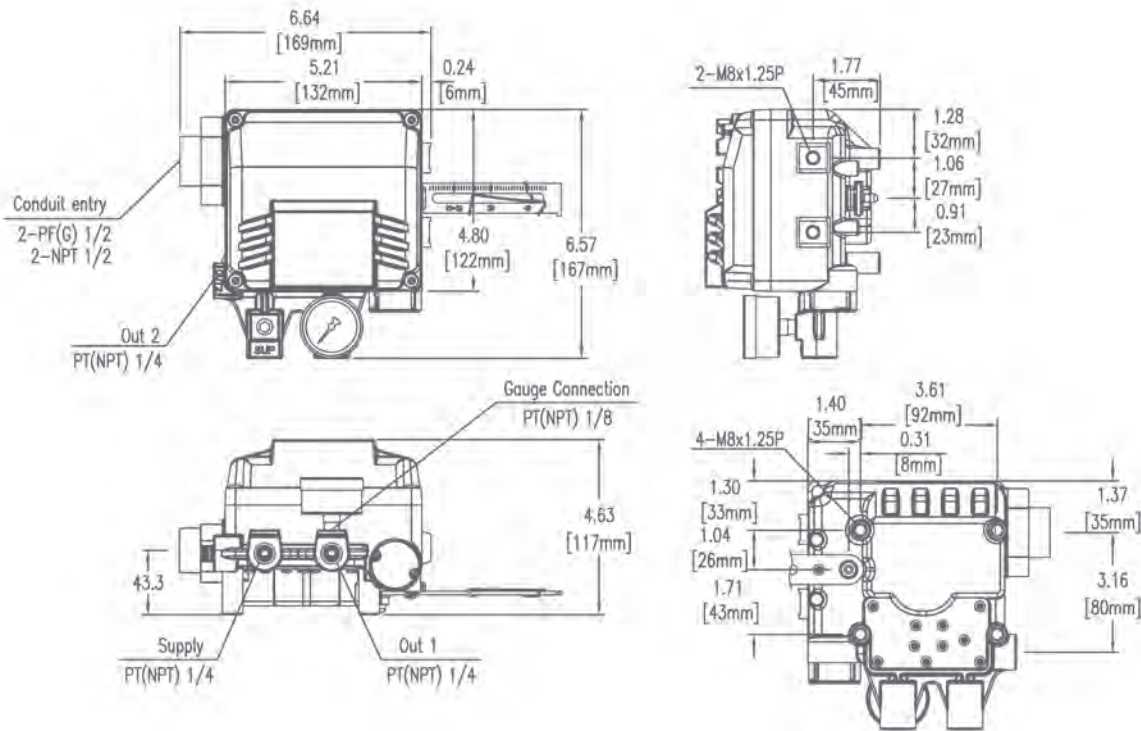
NOTE 2) For strokes under 10mm or above 150mm, please contact UniTorq.

NOTE 3) For strokes under 0° or over 90°, please contact UniTorq.

Dimensions

UT-1000

Dimensions in inches [millimeters]



Product Number: **UT-1000** ■ ■ ■ ■ ■ ■ ■ (specify your requirement)

Model	Acting Type	Explosion Proof	Lever Type	Orifice Type	Connection Type	Ambient Temp	Indication	Option 1*
UT-1000	S Single	n Non-Explosion	2 M6x34L	1 $\Phi 1$	2 PT	S -20° C ~ 70° C	0 NONE (St'd)	1 None
R/L	D Double	f Ex dm IIB T5 (FM)	3 M6x63L	2 $\Phi 2$	3 NPT	-4° F ~ 158° F	2 Dome Cover	2 +PTM(Internal)
			4 M8x34L	3 NONE		H -20° C ~ 120° C		3 +PTM(External)
			5 M8x63L			-4° F ~ 248° F		4 +L/S(Internal)
			6 NAMUR			L -40° C ~ 70° C		5 +L/S(External)
						-40° F ~ 158° F		6 +PTM+L/S(Internal)
								7 +PTM+L/S(External)

*Internal PTM, L/S are Non-Explosion only. (Option 1)





UT-1200 Pneumatic Positioners

Linear & Rotary

Reliability and Consistency You Can Count On.

UniTorq's advanced-control positioner offers unmatched durability (tested at a minimum of two million cycles) and proven stability in tough environments.

1200 Series

Features

- Short, accurate response time
- Easy maintenance
- Corrosion-resistant aluminum diecast body
- Simple zero and span adjustment
- Easily convert direct and reverse action
- Follow simple structure for feedback connection
- Save money with less air consumption
- Temperature and vibration-resistant design
- CE, IP66 certified

Included: Standard stainless-steel gauges, restricted pilot valve orifice kit for small actuators and NAMUR mounting dimensions.



Specifications

Category	UT-1200L		UT-1200R	
	Linear Type		Rotary Type	
	Single	Double	Single	Double
Input Signal	3-15psi (0.2-1 bar) (NOTE 1)			
Supply Pressure	20-100psi (1.4-7 bar)			
Stroke	10-150mm (NOTE 2)		0-90° (NOTE 3)	
Air Connection	NPT 1/4"			
Gauge Connection	NPT 1/8"			
Protection	IP66			
CAM	Linear			
Ambient Temperature	Standard: -4 to 158°F High: -4 to 248°F Low: -40 to 158°F			
Linearity	± 1.0% F.S.	± 2.0% F.S.	± 2.0% F.S.	
Hysteresis	± 0.75% F.S.		± 1.0% F.S.	
Sensitivity	± 0.2% F.S.	± 0.5% F.S.	± 0.5% F.S.	
Repeatability	± 0.3% F.S.		± 0.5% F.S.	
Air Consumption	.11 CFM @ 20psi (3.0 LPM)			
Flow Capacity	2.83 CFM @ 20psi (80 LPM)			
Material	Aluminum diecasting			
Weight	3.1lbs (1.7kg)			

NOTE 1) Split range is available

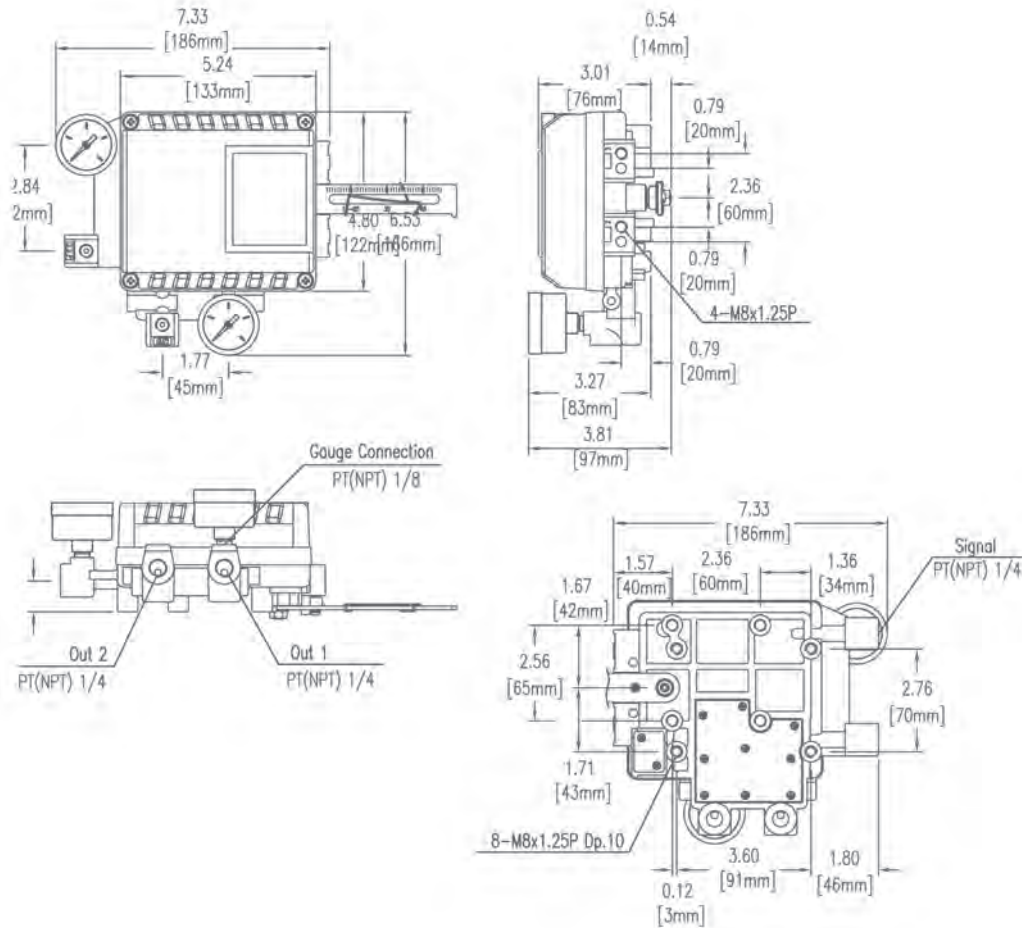
2) Feedback lever for stroke 80-150mm is available (PPL)

3) Stroke can be adjusted to 0°-60° or 0°-100°(PPR)

Dimensions

UT-1200

Dimensions in inches [millimeters]



Product Number: UT-1200 ■ ■ ■ ■ ■ (specify your requirement)

Model	Acting Type	Lever Type	Orifice Type	Connection Type	Ambient Temp	Option 1
UT-1200	S Single	2 M6x34L	1 Φ 1	2 PT	S -20°C ~ 70°C	1 NONE
R/L	D Double	3 M6x63L	2 Φ 2	3 NPT	-4°F ~ 158°F	2 +Dome Cover
		4 M8x34L	3 NONE		H -20°C ~ 120°C	3 +PTM-5VR
		5 M8x63L			-4°F ~ 248°F	4 +PTM-6VR
		6 NAMUR			L -40°C ~ 70°C	7 +PTM+L/S
					-40°C ~ 158°F	

A Smart Solution.

UniTorq's newest smart digital positioner provides technological innovation beyond established performance expectations. UniTorq's advancement in smart digital controls delivers constant results under unpredictable operating conditions at all times.

3400 Series

Features

- Provides continuous valve position control and offers real-time state of control, including a view of operating integrity and emerging alert conditions.
- Advanced auto-calibration controls positioner gain settings, zero and span adjustments, and internal adjustments. This is done with a microprocessor that measures position sensor voltage and input setpoint current, and sets the amount of control signal required to move the valve to its end points.
- An auto-tuning microcontroller allows the user to automatically tune the proportional, integral, and derivative (PID) functions of the positioner.
- Non-contact position feedback allows positioner to be mounted remotely (up to a distance of 150 feet) from the device it is controlling.
- Because valve position sensing is done entirely by proximity means, hysteresis within the positioner is basically non-existent. This allows the user to accurately track the control signal to within 1/10 of 1 mA.
- ATEX, IECEx certified



Specifications

Model	YT-3400L		YT-3400R	
	Single	Double	Single	Double
Input Signal	4-20 mA DC (NOTE)			
Minimum Current Signal	3.2mA (Standard), 3.8mA (Hart)			
Supply Air Pressure	20-100psi (1.4-7 bar)			
Stroke	10-150mm		0-90°	
Impedance	Max. 460Ω @ 20mA DC			
Air Connection	NPT 1/4"			
Gauge Connection	NPT 1/8"			
Conduit Entry	NPT 1/2"			
Protection Grade	IP66			
Explosion Proof	Ex d IIC T6/T5			
Ambient Temperature	Operating Standard: -22 to 176°F			
	Explosion T5: -40 to 185°F T6: -40 to 158°F			
Linearity	± 0.5% F.S.			
Hysteresis	± 0.5% F.S.			
Sensitivity	± 0.2% F.S.			
Repeatability	± 0.3% F.S.			
Flow Capacity	2.47 CFM (70 LPM)			
Air Consumption	.071 CFM (2LPM)			
Output Characteristic	Linear, Quick Open, EQ%, User Set (16 point)			
Vibration	No Resonance up to 100Hz @ 6G			
Humidity Limits	>90% RH, Non-condensing			
Communication (Option)	HART communication			
Feedback Signal (Option)	4-20mA (DC 10-30V)			
Material	Aluminum diecasting			
Weight	7.5lbs (3.0kg)			
Painting	Epoxy polyester powder coating			
Media Characteristics	Filtered compressed dry air and non-oiled air			

NOTE) Split range is available

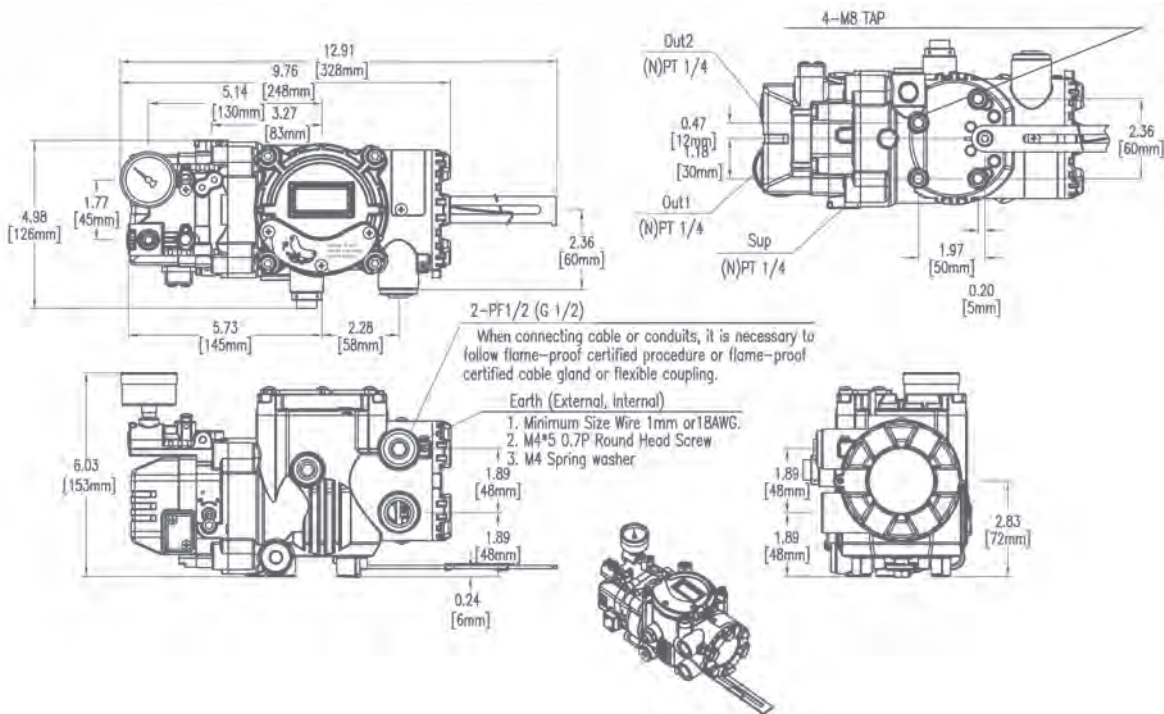


Dimensions

UT-3400

Linear Type

Dimensions in inches [millimeters]



Product Number: **UT-3400** (specify your requirement)

Model	Motion Type	Acting Type	Explosion Proof	Lever Type		Connection Type	Communication	Option
				Linear	Rotary			
UT-3400	L Linear	S Single	N Non-Explosion	1 10~40mm	1 M6x34L	1 PT	0 NONE	0 NONE
	R Rotary	D Double	I Ex ia IIC T6	.39~1.57in	2 M6x63L	2 NPT	2 +HART	1 +PTM
				2 20~70mm	3 M8x34L			
				.78~2.76in	4 M8x63L			
				3 50~100mm	5 NAMUR			
				1.97~3.94in				
				4 100~150mm				
				3.94~5.91in				

POSITIONERS

PNEUMATIC, ELECTRO-PNEUMATIC & SMART DIGITAL

The Trusted Source in Valve Automation

For more than 20 years, we've been your one source for innovative, reliable and affordable actuators and accessories.

With a continued focus on emerging technology and manufacturing trends, we've expanded our product line to include a wider selection of innovative actuators and controls to meet the various demands in today's market. Our recognition of these trends led to the introduction of more sizes, digital positioners, expanded gear override products, solenoid valves, limit switches and both quarter-turn and multi-turn electric actuators.

At UniTorq, we're committed to meeting our customers' changing requirements while adhering to the standards set by our company-wide quality management system. Established through management review and continuously monitored for effectiveness and improvement, UniTorq's goals for quality are consistently met and surpassed, making us the smart source from the valve up.

To learn more, visit unitorq.com or email sales@unitorq.com

The UniTorq logo features the brand name in a stylized, italicized font. The letters are white with a red outline. The logo is set against a red, angular background element that resembles a stylized 'U' or a gear profile.

UniTorq

UniTorq Actuators & Controls • 2150 Boggs Road, Suite 410, Duluth, GA 30096

Telephone: 770-446-7074 Fax: 770-447-1825

