



Sure Seal Foot Valves

For Positive Prime with Silent Operation



Features and Benefits

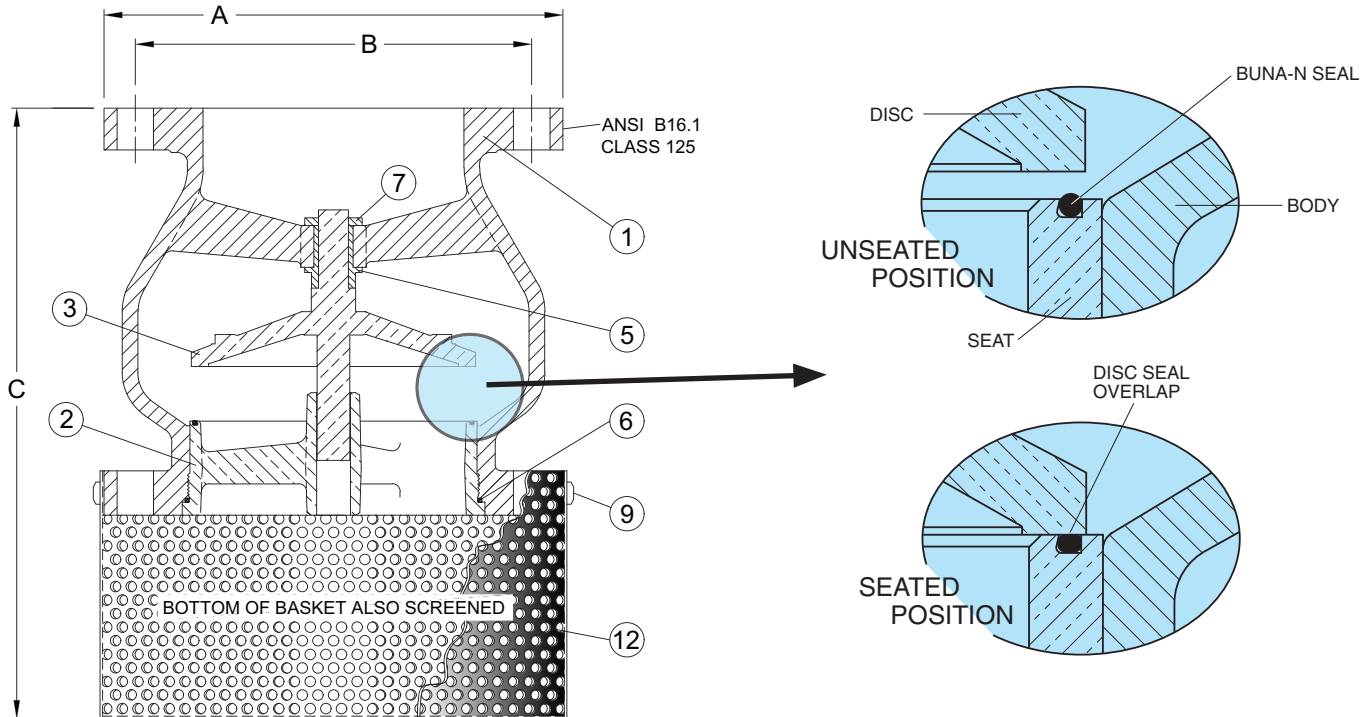
- Size Range: 2" - 42"
- Pressure Range: Up to 200 PSI
- Full flow area, equal to pipe size at all points through valve
- Silent operation, by design of disc, stroke and linear closing characteristics
- Unique seating design, provides positive shut-off at all pressure ranges without additional loading on the seal
- Heavy duty stainless steel screening, with flow area 3 to 4 times that of pipe area

Why to use a Val-Matic Foot Valve

Design of the Sure Seal Foot Valve evolved through a need for a valve that could provide positive sealing action at various pressure ranges without seal damage along with silent operation.

The Val-Matic Sure Seal Foot Valve satisfies these requirements plus low head loss thru its full ported area and heavy duty stainless steel basket screening.

The unique seating design provides initial contact with the valve disc and the Buna-N ring, providing a drop-tight seal. As the pressure increases, the Buna-N ring is compressed slightly and the disc makes contact with the metal portion of the valve seat, preventing any further compression of the Buna-N ring. The Buna-N ring will continue to provide the "drop-tight seating" during the higher pressure ranges without damage from the increased pressure loading.



Construction		
Part No.	Name	Material
1	Body	Cast Iron
2	Seat	Bronze/Buna-N
3	Disc	Bronze
5	Bushing	Bronze
6	O-Ring	EPDM
7	Bushing Retainer	Bronze
9	Screen Retainer	Stainless Steel
11	Bolts	Steel
12	Screen	Stainless Steel

Dimensions				
Size*	Model	A	B	C
2	1902A	6.00	4.75	8.44
2-1/2	1925A	7.00	5.50	8.44
3	1903A	7.50	6.00	8.69
4	1904A	9.00	7.50	9.94
5	1905A	10.00	8.50	12.19
6	1906A	11.00	9.75	18.25
8	1908A	13.50	12.50	22.19
10	1910A	16.00	14.25	21.88
12	1912A	19.00	17.00	23.44

* Contact Factory for larger sizes.